

**Application**

For loading and unloading 660 x 660 mm (26 x 26") or 660 x 950 mm (26 x 37.5") sterilizers, and for transferring goods to and from processing areas. This equipment allows heavy loads to be transferred with low effort. Equipment design minimizes contact between operator and hot load items.

The need for protective gloves or clothing is reduced, as little or no direct contact occurs between operator and load. One or more loading transfer carriages can be used for handling loads with multiple sterilizers and load preparation areas.

**IMPORTANT:** This tech data sheet is intended for use outside the U.S.A. only.

**Description**

**Loading car** is a welded framework constructed of stainless steel.

**Shelves** – each loading car is provided with either two or three stainless-steel shelves. Shelf arrangement depends on size of sterilizer:

- **660 x 660 mm** sterilizer loading cars feature two shelves: one height-adjustable, removable shelf (upper) and one fixed-height shelf (lower);
- **660 x 950 mm** sterilizer loading cars feature three shelves: two height-adjustable, removable shelves (upper and middle) and one fixed-height shelf (lower).

No tools are required for adjusting shelf heights.

**Transfer carriage** is constructed of welded stainless steel with four swiveling casters. Casters are equipped with long-wearing synthetic-material tires. Rear casters are provided with a locking mechanism. Transfer carriage is height-adjustable to align with sterilizer chamber. Transfer carriage is equipped with a hand wheel for purposes of lowering or raising guide rails under loading car in sterilizer chamber.

During loading and unloading, transfer carriage is held to the sterilizer by a floor-level docking interface that releases transfer carriage after car is fully loaded (lowered) into chamber (unloading process is similar). Loading car is aligned upon the transfer carriage by two guide rails.

Transfer carriage is available constructed from acrylic-coated mild steel for use at the sterilizer's clean side, or is also available constructed from brushed stainless steel for use at the sterilizer's sterile side.



Typical only – details may vary

The separately-available **docking interface** is installed for use at the bottom of the sterilizer paneling.

**Stationary loading car stand** allows staging of load near preparation and packing areas or loading/unloading area. Stand is available constructed of either stainless steel or mild steel.

**Inter-Shelf Condensate Shield** – is an optional item that can be installed directly below the upper (and/or middle) shelf. The shield is designed to deflect falling condensate droplets from reaching items located on lower shelves.

**The Selections Checked Below Apply To This Equipment**

**Sterilizer Chamber Size**

- 660 x 660 x 991 mm (26 x 26 x 39")
- 660 x 660 x 1245 mm (26 x 26 x 49")
- 660 x 660 x 1549 mm (26 x 26 x 61")
- 660 x 950 x 914 mm (26 x 37-1/2 x 36")
- 660 x 950 x 1219 mm (26 x 37-1/2 x 48")
- 660 x 950 x 1524 mm (26 x 37-1/2 x 60")

**Transfer Carriage**

- Stainless Steel
- Acrylic-Coated Mild Steel

**Docking Interface**

**Loading Car Shelves**

- One, for 660 x 660 mm (26 x 26") Sterilizers
- Two, for 660 x 950 mm (26 x 37-1/2") Sterilizers

**Inter-Shelf Condensate Shield**

**Stationary Loading Car Stand**

- Stainless Steel
- Mild Steel

Item \_\_\_\_\_

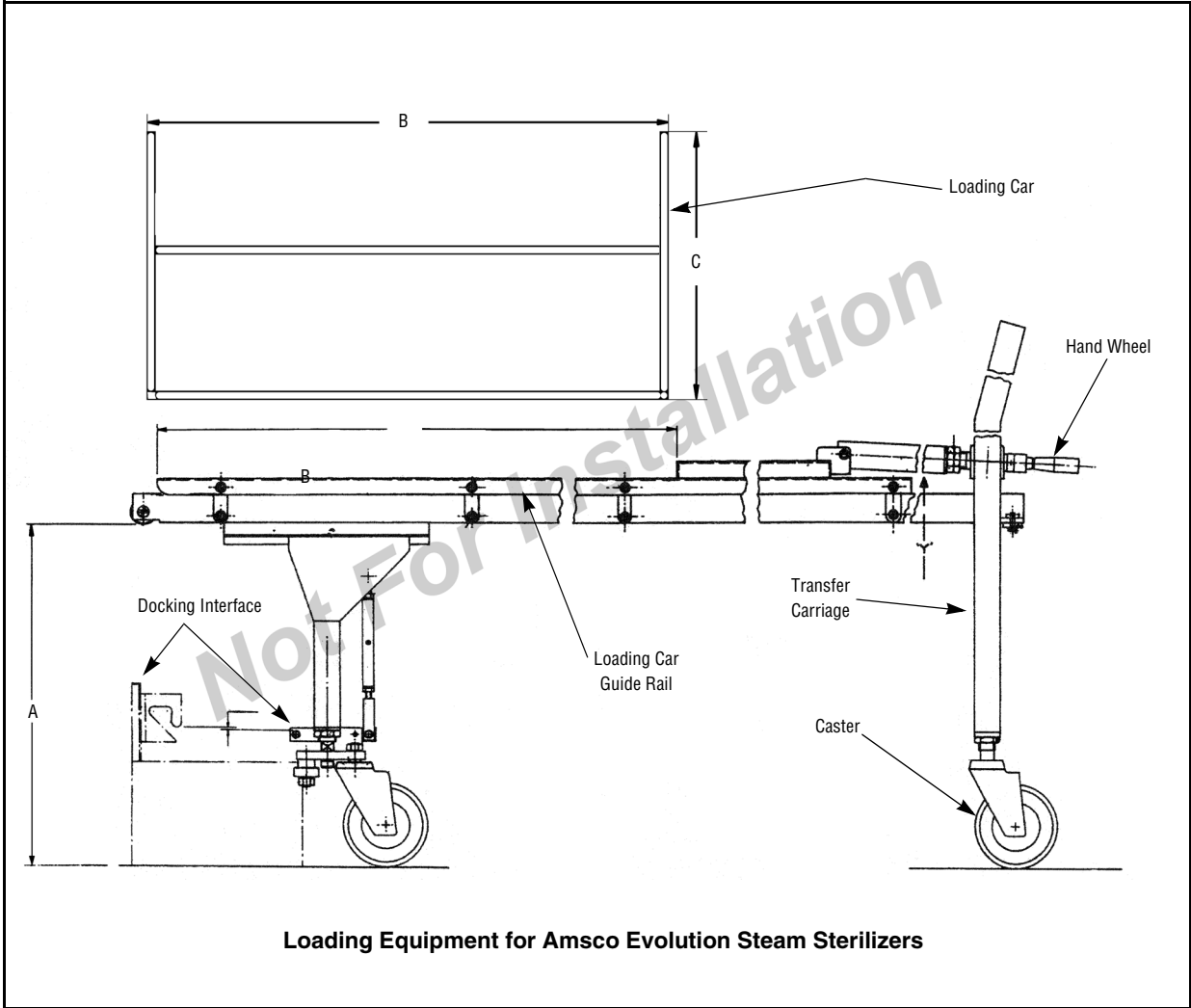
Location(s) \_\_\_\_\_

**Table 1. Loading Equipment Capacity**

<b>Sterilizer Model</b>	<b>Sterilizer Chamber Size</b>	<b>Approximate Shelf Length/ Number of Shelves</b>	<b>Sterilization Modules per Shelf</b>	<b>Total Modules when All Shelves Used</b>
HC-600	660 x 660 x 991 mm (26 x 26 x 39")	991 mm (39") / 2	3	6
HC-800	660 x 660 x 1245 mm (26 x 26 x 49")	1245 mm (49") / 2	4	8
HC-1000	660 x 660 x 1549 mm (26 x 26 x 61")	1549 mm (61") / 2	5	10
HC-900	660 x 950 x 914 mm (26 x 37-1/2 x 39")	914 mm (36") / 3	3	9
HC-1200	660 x 950 x 1219 mm (26 x 37-1/2 x 48")	1219 mm (48") / 3	4	12
HC-1500	660 x 950 x 1524 mm (26 x 37-1/2 x 60")	1524 mm (60") / 3	5	15

**Table 2. Loading Equipment Specifications  
(See Figure on Facing Page)**

<b>Loading Carriage and Car for use in Sterilizer Model</b>	<b>A (Transfer Carriage Height)</b>	<b>B (Loading Car Shelf Dimensions)</b>	<b>C (Loading Car Height)</b>
HC-600	800 mm (32")	602 x 956 mm (23-11/16 x 37-5/8")	505 mm (19-7/8")
HC-800		602 x 1211 mm (23-11/16 x 47-11/16")	
HC-1000		602 x 1540 mm (23-11/16 x 60-5/8")	
HC-900	590 mm (23")	602 x 1037 mm (23-11/16 x 40-13/16")	778 mm (30-5/8")
HC-1200		602 x 1210 mm (23-11/16 x 47-5/8")	
HC-1500		602 x 1664 mm (23-11/16 x 65-1/2")	



---

**For Further Information, contact:**

STERIS®



STERIS Corporation  
5960 Heisley Road  
Mentor, OH 44060-1834 ? USA  
440-354-2600 ? 800-548-4873  
[www.steris.com](http://www.steris.com)



**EC Authorized Representative**

STERIS Ltd.  
STERIS House  
Jays Close  
Viables  
Basingstoke  
Hampshire  
RG22 4AX