



THE BENCHMARK FOR SURGICAL VERSATILITY

STERIS® 5085 AND 5085 SRT
SURGICAL TABLES



ADVANCING CARE THROUGH PRACTICAL INNOVATION



THE ANSWER TO TODAY'S CHANGING SURGICAL ENVIRONMENT

Today's surgical environment requires a table that instantly adapts to all the versatility, handling and speed you need to provide the highest level of care. The STERIS 5085 and 5085 SRT surgical tables deliver with industry-leading innovations specifically designed for the OR of today and tomorrow.

You can do more. Your table should, too.

The STERIS 5085 and 5085 SRT surgical tables quickly and easily adapt to the workflow of virtually every surgical specialty. A single table accommodates the following procedures and more:

- Cardiothoracic
- Endovascular
- Bariatric
- ENT/Ophthalmology
- Orthopedic
- Gynecologic/Obstetric
- Robotic
- Urologic/Kidney



Strong, yet flexible

Higher weight capacities accommodate heavier patients and allow for more bariatric surgeries. Both the 5085 and 5085 SRT provide an exceptionally low height for MIS, robotic and bariatric techniques without sacrificing the height needed for orthopedic and cardiac procedures.



Better imaging means better outcomes

One of the industry's largest imaging areas permits the clear, high quality images crucial to today's MIS, cardiothoracic, orthopedic and neurosurgical procedures. Radiolucent construction provides crisp imaging, while the narrow column and generous longitudinal slide allows 100% access for the C-arm and surgical team without patient reorientation.

Intuitive controls save valuable OR time

User-friendly, data-rich hand control puts you in the driver's seat with:

- **An easy-to-read LCD window** that provides information on table positioning, service requirements and potential interference, making it ideal for anesthesiologists behind the drape
- **Pre-programmed, backlit buttons** for quick, one-touch patient posturing, even in darkened ORs
- A familiar **4-section tabletop** that articulates to virtually every patient posture, giving surgeons unrestricted, time-saving access to the operative site
- **LEDs** highlight key buttons such as floor lock, normal and reverse patient orientation and return-to-level
- **Touch pads** include menu advancement, programmed positions, floor lock activation and patient positioning



FROM PRE-OP TO POST-OP IN ONE TABLE

STERIS 5085 SRT surgical tables

The STERIS 5085 surgical table safely and confidently slides, rotates and transports patients from pre-op, to OR, to post-op without cumbersome red-zone gurneys or trolleys.

Turn on a dime for unprecedented patient access

Use "pivot mode" to rotate a full 360° for optimal surgical flexibility.

Drive down costly non-operative time

Transfer patients to the table in the holding area and prep them for surgery while the OR is being prepared.

Future-proofed to protect your investment

Streamline your inventory with a unit that's upgradable and compatible with previously purchased accessories.

STERIS 5085 AND 5085 SRT SURGICAL TABLES

Advancing Care through practical innovation



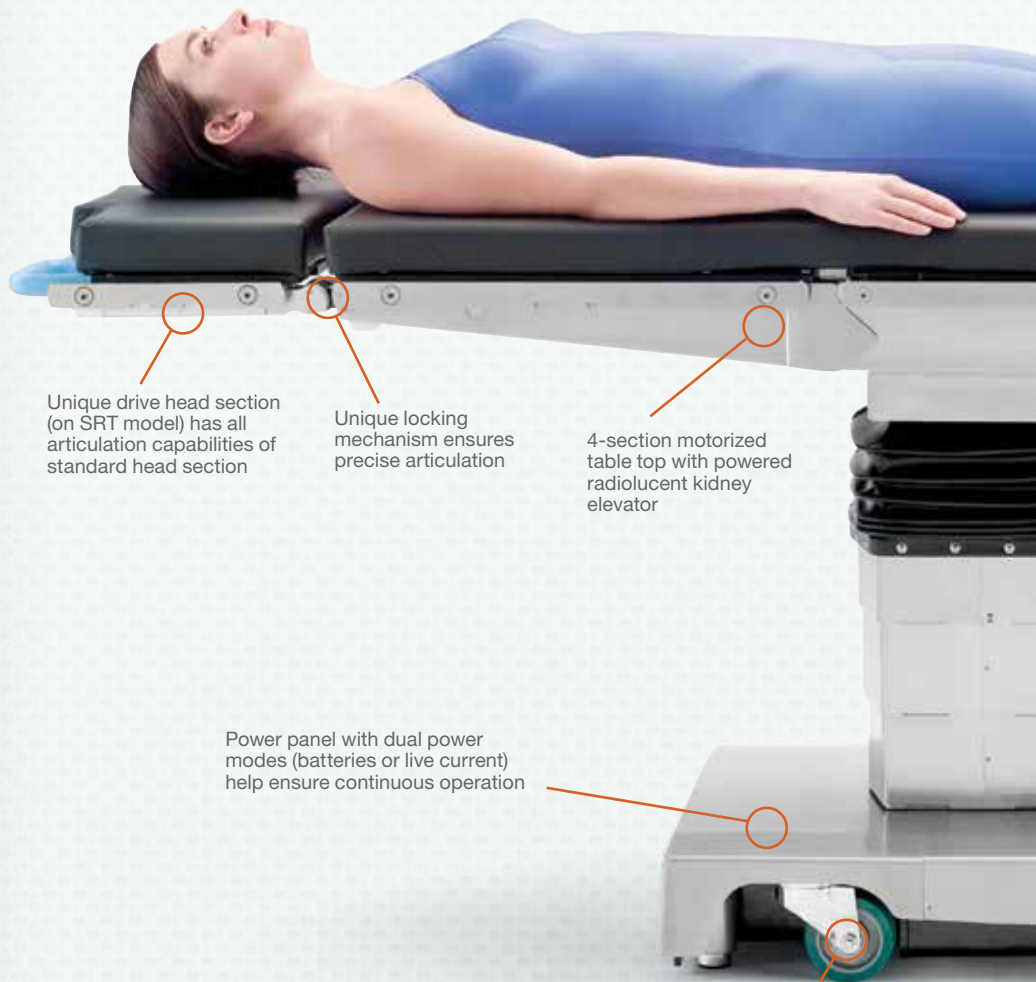
SLIDE



ROTATE



TRANSPORT



Unique drive head section (on SRT model) has all articulation capabilities of standard head section

Unique locking mechanism ensures precise articulation

4-section motorized table top with powered radiolucent kidney elevator

Power panel with dual power modes (batteries or live current) help ensure continuous operation

Robust casters have ultra-smooth bearings for easy movement





Integrated Manual Override System

Easy access to backup hand control and foot pedal.

Exceptionally Low Table Height

Accommodates modern MIS, robotic and bariatric procedures.

Universal Hand Control

Ergonomic design and easy-to-read LCD readout display communicates instantaneous table positioning data without lifting the sterile drape.



Designed with safety in mind

- Return-to-level button carefully repositions patient to maintain hemostasis
- Patient safety rails and variable speed (on SRT model) help provide safe transport
- Auto limit sensors prevent table damage from colliding sections and informs caregiver of alternative table articulation

Patient Weight Capacity

1,200 lb. (544 kg) patient support, including raise/lower (when centered on the column in Normal Orientation; includes rotation in SRT model)

1,000 lb. (454 kg) full table articulation (when centered on the column in Normal Orientation; includes rotation in SRT model)

600 lb. (272 kg) full table articulation, including slide (includes rotation and transport in SRT model)



IMAGINE THE POSSIBILITIES



Drive Head Section

Ergonomically designed with drive and forward/reverse buttons; 5085 surgical table upgrades to the STERIS 5085 SRT surgical table by adding drive wheel and head section.



Full 360° Rotation

Central drive wheel locks and pivots the entire base and table for unsurpassed OR versatility and access for surgeons and C-arms.

Unique drive wheel and smart head section makes workflow efficient.

The STERIS 5085 SRT surgical table's drive wheel and head section are designed to allow a single caregiver to safely rotate and transport a patient without gurneys or trolleys throughout the perioperative area. Additionally:

- Use parallel processing techniques to reduce non-operative time by moving several components outside of the OR, including patient transfers, inducing/waking the patient and cleaning the table
- Increase mobility with a battery-powered drive wheel
- Experience smooth movement with a removable head section that has integrated handles, drive engage/disengage button and toggle switch for forward/reverse propulsion
- Enhance stability on uneven floors with a low-profile base and hydraulically operated, self-compensating floor lock system
- Get quick access to transport with the one-button, return-to-transport mode

A LARGE IMAGING AREA ACCOMMODATES MORE NEEDS

Upper Body IA Coverage – Normal Patient Orientation

TABLE SLID TO HEAD

5085 imaging length:
43" (1,095 mm)

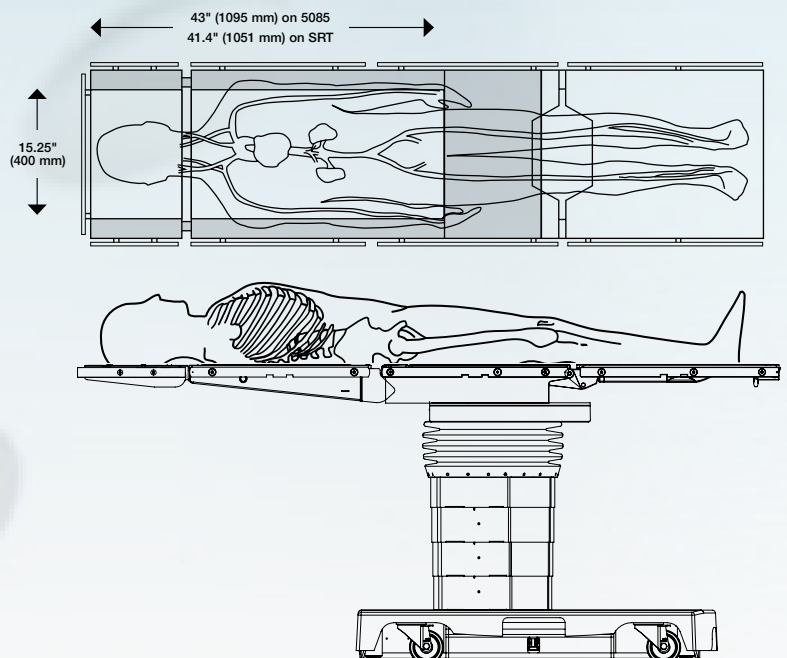
Total imaging area:
670 sq. in. (4,327 sq. cm)

5085 SRT imaging length:
41.4" (1,051 mm)

Total imaging area:
635 sq. in. (4,093 sq. cm)

Common uses:

- Pacemaker insertions
- Hickman catheters
- Broviac insertions
- Shunts
- IVC filters
- Cholangiography
- Lung biopsies
- Thoracic and kidney
- Gall bladder
- Total hip revision
- Ophthalmic
- Neurosurgery
- Spinal
- Implantable defibrillation
- Endoscopy



LIGHTEN YOUR WORKLOAD

Featherweight Leg Section

This modular, removable leg section's carbon fiber construction makes it strong, lightweight and ideal for imaging.

With flexibility in movement and function you can experience the same articulation capabilities as a standard leg section, and attach your existing surgical table accessories to its ultra-strong side rails.

The ultimate in versatility and compatibility.

- Attaches to the head rest for added length
- Compatibility with the same X-ray cassette as standard removable leg sections
- Supports your current table accessories
- Fits on STERIS 4085, 5085, 5085 SRT and Cmax™ surgical table models
- Replacement pads available for reorder



Lower Body IA Coverage

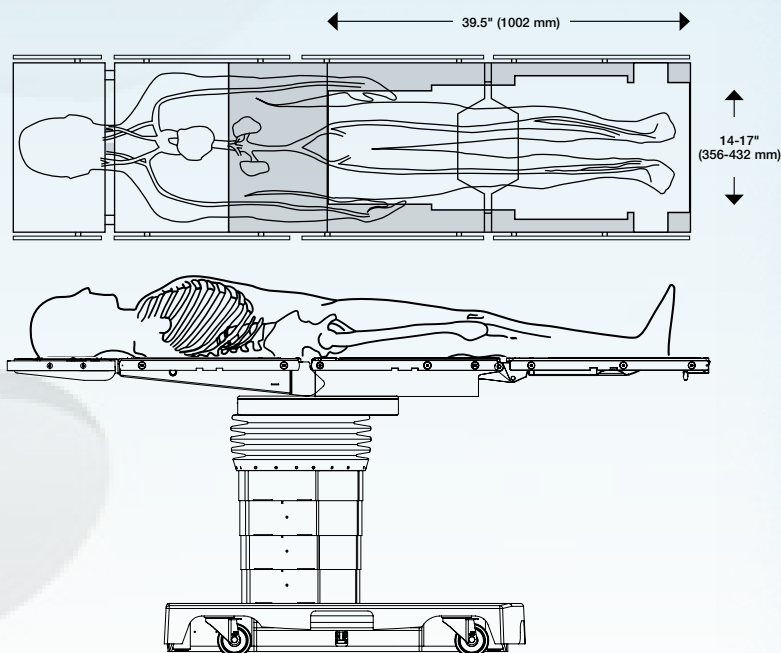
TABLE SLID TO FOOT

5085/5085 SRT imaging length:
39.5" (1,002 mm)

Total imaging area:
629 sq. in. (4,058 sq. cm)

Common uses:

- Lower body arterial imaging
- Lower limb, non-traction orthopedics
- Femoral/popliteal bypass
- Laser angioplasty



Technical Specifications

FEATURE	STERIS 5085 SURGICAL TABLE	STERIS 5085 SRT SURGICAL TABLE
Table Length	81" (2057 mm)	83" (2098 mm)
Table Width	20" (508 mm) (28" with extenders)	20" (508 mm) (28" with extenders)
Table Height Range	22.8" to 42.5" (581x1080 mm)	22.8" to 42.5" (581x1080 mm)
Tabletop Slide Range	9" (227 mm) to head, 9" to foot	9" (227 mm) to head, 9" to foot
Table Rotation	n/a*	360°
Patient Weight Capacity**	1,200 lb. (544 kg) patient support, includes raise/lower (centered on the column) 1,000 lb. (454 kg) full table articulation (centered on the column) 600 lb. (272 kg) full table articulation, including slide	1,200 lb. (544 kg) patient support, including raise/lower and rotate (centered on the column) 1,000 lb. (454 kg) full table articulation and rotation (centered on the column) 600 lb. (272 kg) full table articulation, including slide, rotate and transport
Table Shipping Weight	820 lbs. (372 kg)	850 lbs. (386 kg)
Trendelenburg/Reverse	30° / 30°	30° / 30°
Lateral Tilt (left/right)	20° / 20°	20° / 20°
Head Section	+90° to -90° (15° increments)	+60° to -90° (10° increments)
Back Section	+80° to -40°	+80° to -40°
Leg Section	0° to -105°	0° to -105°
Flex/Reflex	140° / 100°	140° / 100°
Manual Override	Yes	Yes
Perineal Cut-out	Yes	Yes
Kidney Elevator	4" (110 mm) powered	4" (110 mm) powered
Table Speed	n/a*	Forward ≤ 1.9 mph (≤3 km/h) Reverse ≤ 1.2 mph (≤2 km/h)
Stopping Distance (at 2 mph/3 km/h with 600 lb. patient)	n/a*	≤ 2' (0.6 m) with motor braking in forward motion

*Ask your STERIS representative how to upgrade your 5085 surgical table to the 5085SRT model.

** Patient in Normal Orientation.

For more information, contact your STERIS representative or visit www.steris.com.



STERIS Corporation
5960 Heisley Road
Mentor, OH 44060-1834 · USA
440-354-2600 · 800-548-4873
www.steris.com